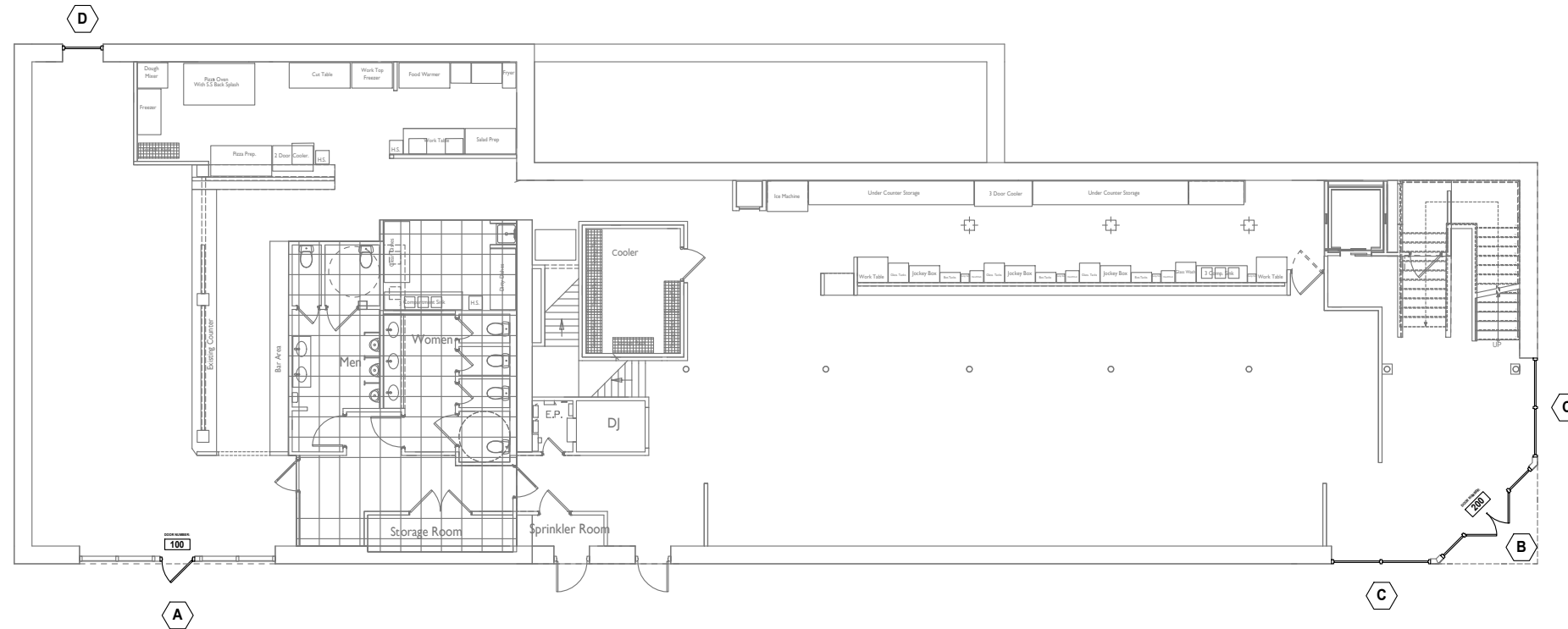


FLOOR PLAN 2 SECOND FLOOR
 SCALE: NTS
 ARCH REF: 1/A-102
 1/A-103
 QUANTITY: TYPE D - 03
 KAWNEER IR-501 IMPACT ALUMINUM STOREFRONT



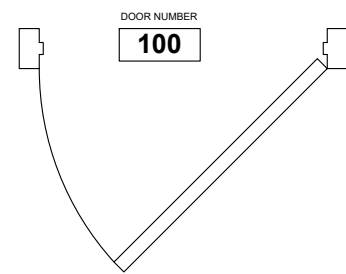
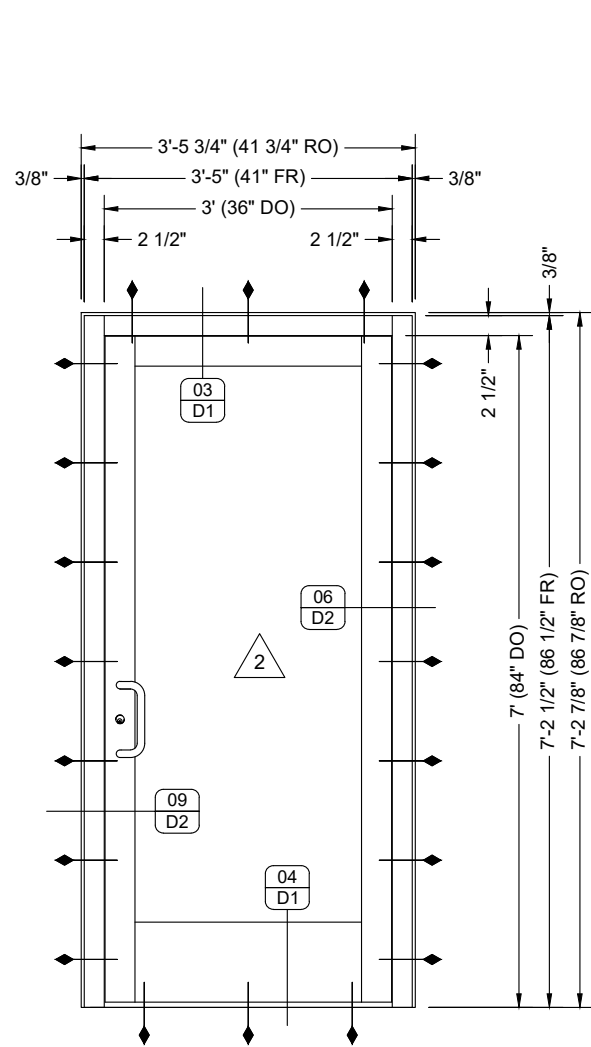
FLOOR PLAN 1 FIRST FLOOR
 SCALE: NTS
 ARCH REF: 1/A-102
 1/A-103
 QUANTITY: TYPE A - 01
 TYPE B - 01
 TYPE C - 02
 TYPE D - 01
 KAWNEER IR-501 IMPACT ALUMINUM STOREFRONT
 KAWNEER 350-IR IMPACT ENTRANCE DOORS

NO.	DATE	DESCRIPTION
1	09/13/22	First Submittal
1		BY
		SUB

EVINS GLASS SERVICE, INC
 101 N.P.I.D., CORPUS CHRISTI, TX 78406
 WORK (361) 884-3995 FAX (361) 884-4262

EXISTING BUILDING REHABILITATION
 ARCHITECT
 URBANGROUP DESIGN & BUILDING SERVICES
 (281) 264-7525
 GENERAL CONTRACTOR
 JASON GUTIERREZ
 (361) 947-0443

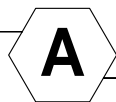
PROJECT NO.	EGS-2209-01
DRAWN BY	fp
DATE	09/13/22
SCALE	NTS
DRAWING	FLOOR PLANS
SHEET	P1



HARDWARE:
 COMMERCIAL BUTT HINGES
 10" BOTTOM RAIL
 THRESHOLD
 PULL
 COMMERCIAL 3-POINT IMPACT-TESTED LOCKING SYSTEM WITH CYLINDER
 COMMERCIAL 4116 HEAVY-DUTY SURFACE MOUNTED DOOR CLOSURE

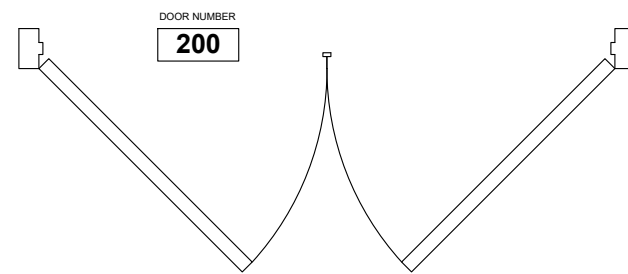
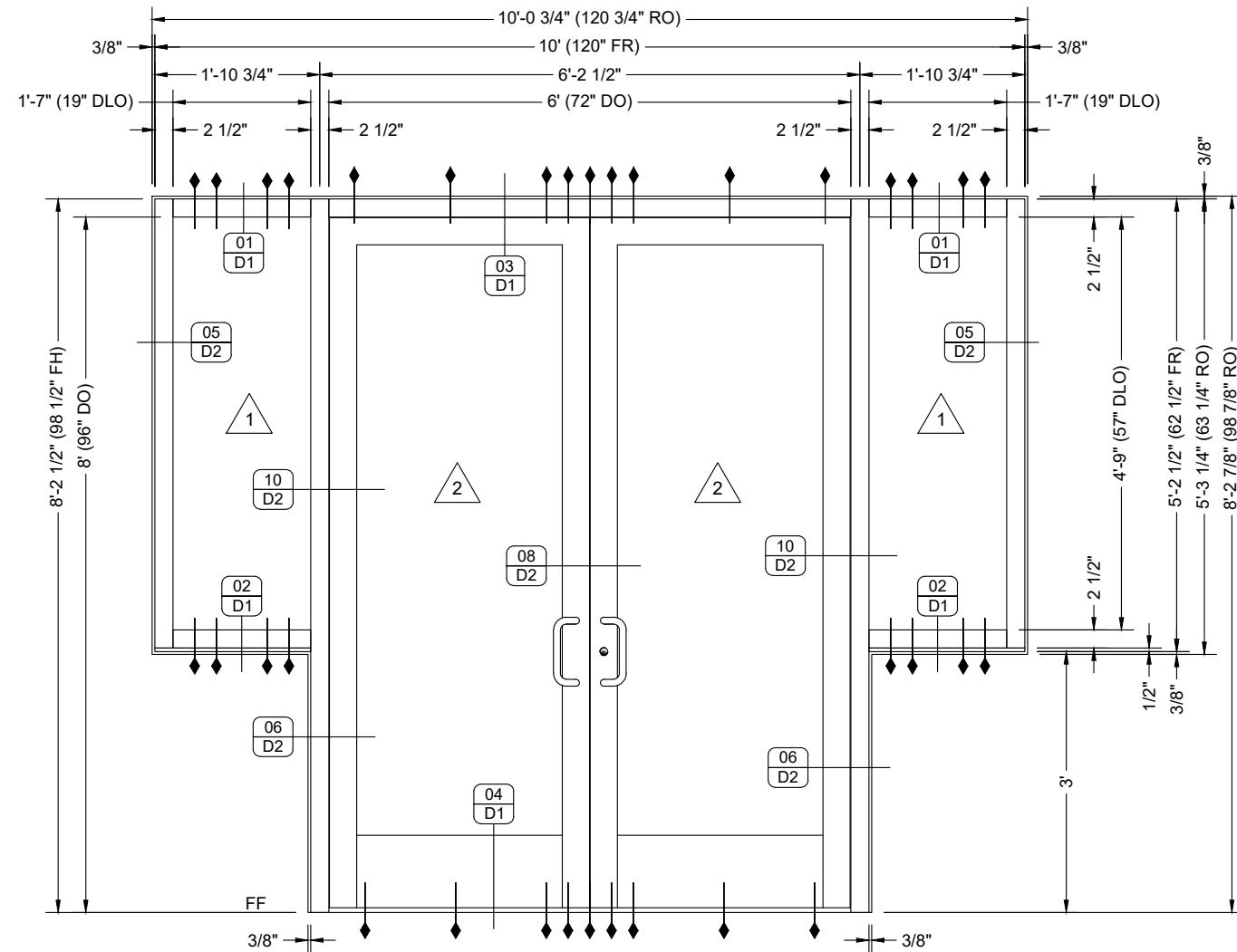
ELEVATION

QUANTITY: 01
 SCALE: 1/2" = 1'-0"
 ARCH REF: 1/A-102
 1/A-201
 WT/A-601



EXT ENTRANCE

KAWNEER 350-IR IMPACT ENTRANCE DOORS



HARDWARE:
 COMMERCIAL BUTT HINGES
 10" BOTTOM RAIL
 THRESHOLD
 PULL
 COMMERCIAL 3-POINT IMPACT-TESTED LOCKING SYSTEM WITH CYLINDER
 COMMERCIAL 4116 HEAVY-DUTY SURFACE MOUNTED DOOR CLOSURE

ELEVATION

QUANTITY: 01
 SCALE: 1/2" = 1'-0"
 ARCH REF: 1/A-102
 1/A-201
 17/A201
 N/A-601



EXT STOREFRONT

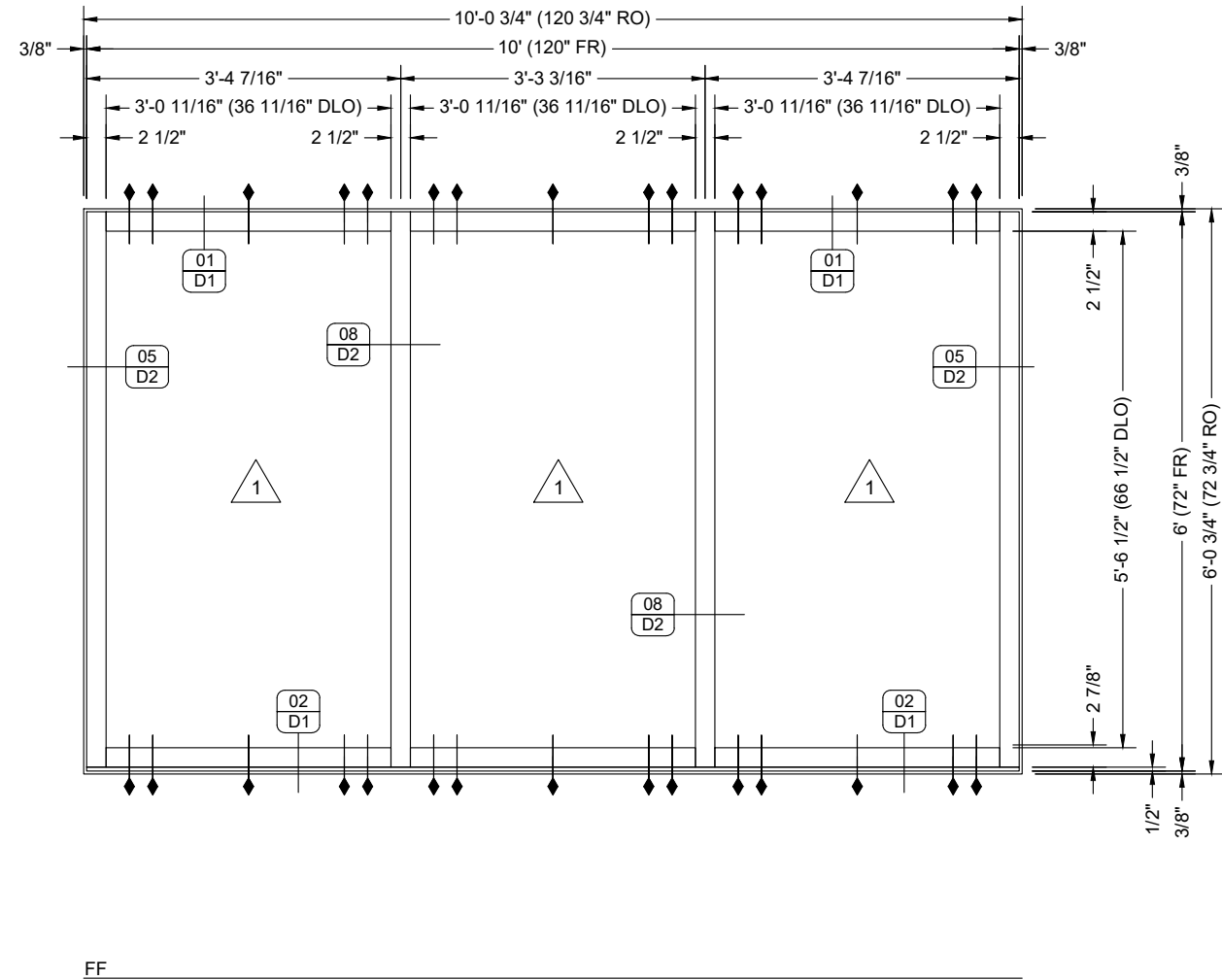
KAWNEER IR-501 IMPACT ALUMINUM STOREFRONT
 KAWNEER 350-IR IMPACT ENTRANCE DOORS

PROJECT	DESCRIPTION
1	First Submittal
fp	DATE
1	09/13/22
1	BY
1	SUB

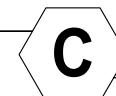
EVINS GLASS SERVICE, INC
 101 N.P.I.D., CORPUS CHRISTI, TX 78406
 WORK (361) 884-3995 FAX (361) 884-4262

EXISTING BUILDING REHABILITATION
 ARCHITECT: URBANGROUP DESIGN & BUILDING SERVICES (281) 264-7626
 GENERAL CONTRACTOR: JASON GUTIERREZ (361) 947-0443

PROJECT NO.	EGS-2209-01
DRAWN BY	fp
DATE	09/13/22
SCALE	1/2" = 1'-0"
DRAWING	ELEVATIONS
SHEET	E1



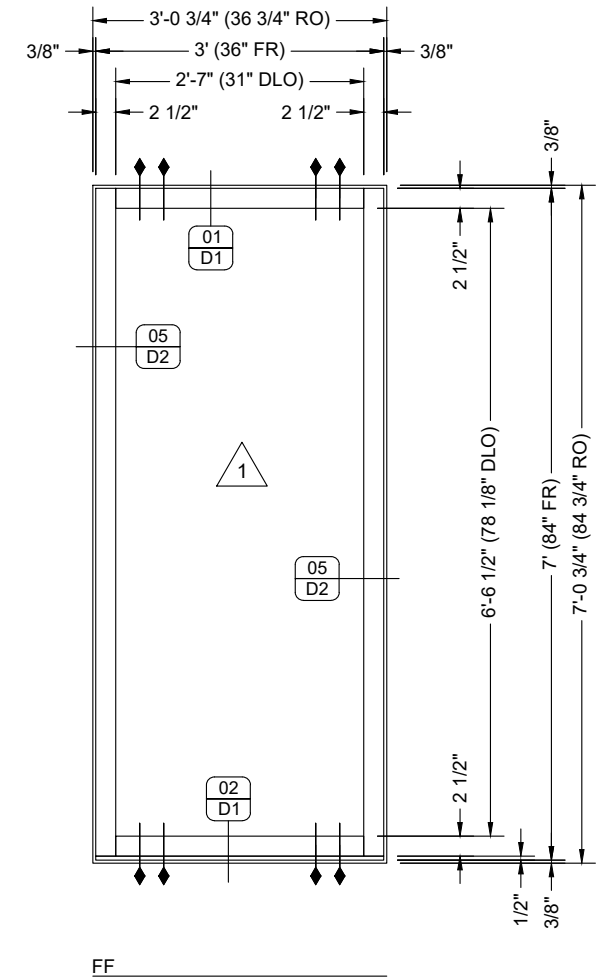
ELEVATION



EXT STOREFRONT

KAWNEER IR-501 IMPACT ALUMINUM STOREFRONT

QUANTITY: 02
 SCALE: 1/2" = 1'-0"
 ARCH REF: 1/A-102
 1/A-201
 17/A-201



ELEVATION



EXT STOREFRONT

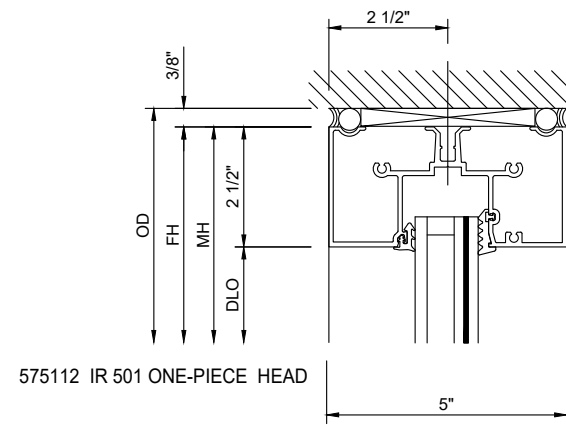
KAWNEER IR-501 IMPACT ALUMINUM STOREFRONT

QUANTITY: 03
 SCALE: 1/2" = 1'-0"
 ARCH REF: 1/A-102
 1/A-1-3
 1/A201
 9/A-201
 WT/A-601

PROJECT	DESCRIPTION
RETRO	
EXISTING BUILDING REHABILITATION	
ARCHITECT	
URBANGROUP DESIGN & BUILDING SERVICES	
(281) 264-7525	
GENERAL CONTRACTOR	
JASON GUTIERREZ	
(361) 947-0443	
DATE	
09/13/22	
BY	
fp	
SUB	
1	
First Submittal	

EVINS GLASS SERVICE, INC
 101 N.P.I.D., CORPUS CHRISTI, TX 78406
 WORK (361) 884-3995 FAX (361) 884-4262

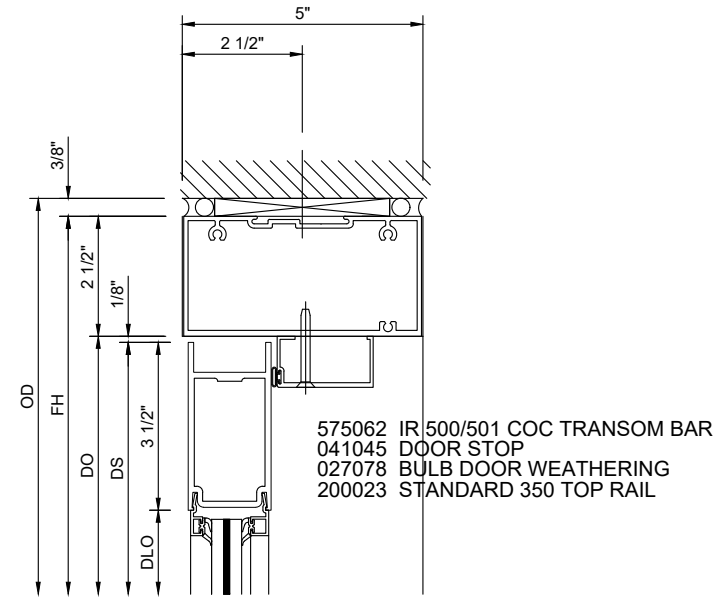
PROJECT NO. EGS-2209-01
 DRAWN BY fp DATE 09/13/22
 SCALE 1/2" = 1'-0"
 DRAWING ELEVATIONS
 SHEET E2



575112 IR 501 ONE-PIECE HEAD

DETAIL 01 EXT HEAD

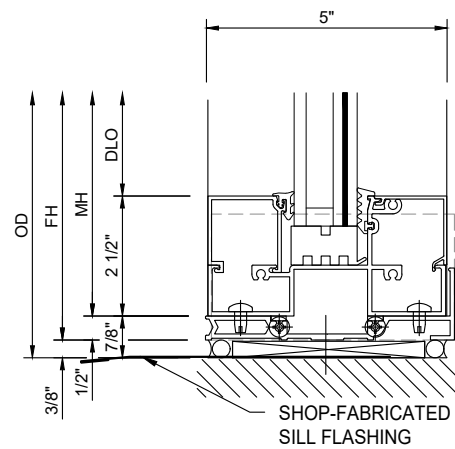
SCALE: 3" = 1'-0"
 ARCH REF: N/A
 KAWNEER IR 501 ALUMINUM STOREFRONT



- 575062 IR 500/501 COC TRANSOM BAR
- 041045 DOOR STOP
- 027078 BULB DOOR WEATHERING
- 200023 STANDARD 350 TOP RAIL

DETAIL 03 DOOR HEADER

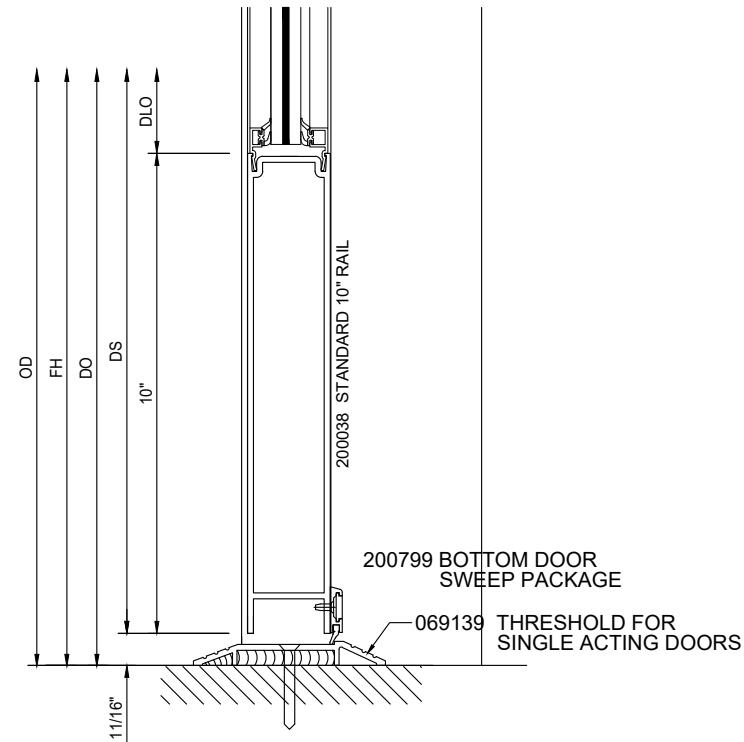
SCALE: 3" = 1'-0"
 ARCH REF: N/A
 KAWNEER 350 IR IMPACT RESISTANT
 OUT-SWING ENTRANCE ON IR 501 FRAME



- 575158 IR 501 OPTIONAL SILL
- 575157 HP SILL FLASHING
- 575208 END DAM
- 575159 IR 501 OPTIONAL SILL COVER
- 575104 IR 501 GLASS STOP

DETAIL 02 EXT SILL

SCALE: 3" = 1'-0"
 ARCH REF: N/A
 KAWNEER IR 501 ALUMINUM STOREFRONT



DETAIL 04 BOTTOM RAIL

SCALE: 3" = 1'-0"
 ARCH REF: N/A
 KAWNEER 350 IR IMPACT RESISTANT
 OUT-SWING ENTRANCE

NO.	DATE	BY	DESCRIPTION
1	09/13/22	fp	First Submittal

EVINS GLASS SERVICE, INC
 101 N.P.I.D., CORPUS CHRISTI, TX 78406
 WORK (361) 884-3995 FAX (361) 884-4262

EXISTING BUILDING REHABILITATION
 ARCHITECT: URBANGROUP DESIGN & BUILDING SERVICES
 (281) 264-7626
 GENERAL CONTRACTOR: JASON GUTIERREZ
 (361) 947-0443

PROJECT NO.	EGS-2209-01
DRAWN BY	fp
DATE	09/13/22
SCALE	3" = 1'-0"
DRAWING	DETAILS
SHEET	D1